

FIG. 1
(Prior Art)

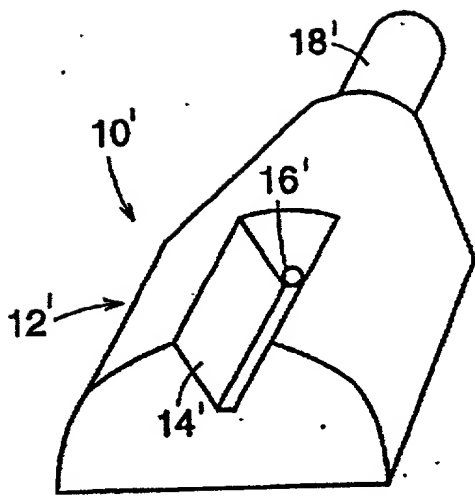


FIG. 2
(Prior Art)

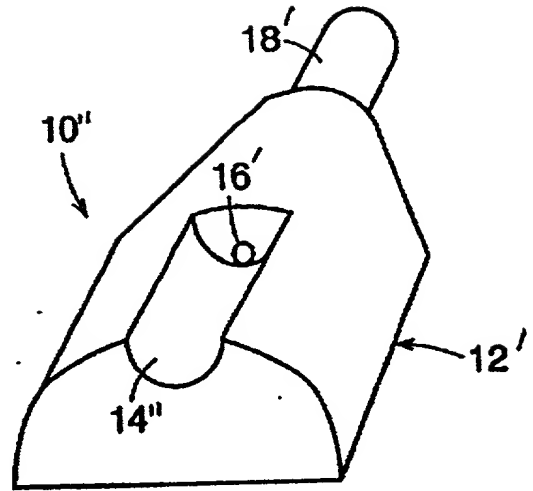


FIG. 3
(Prior Art)

This document is a reproduction of a drawing from a patent application. It is not intended to be used for any other purpose.

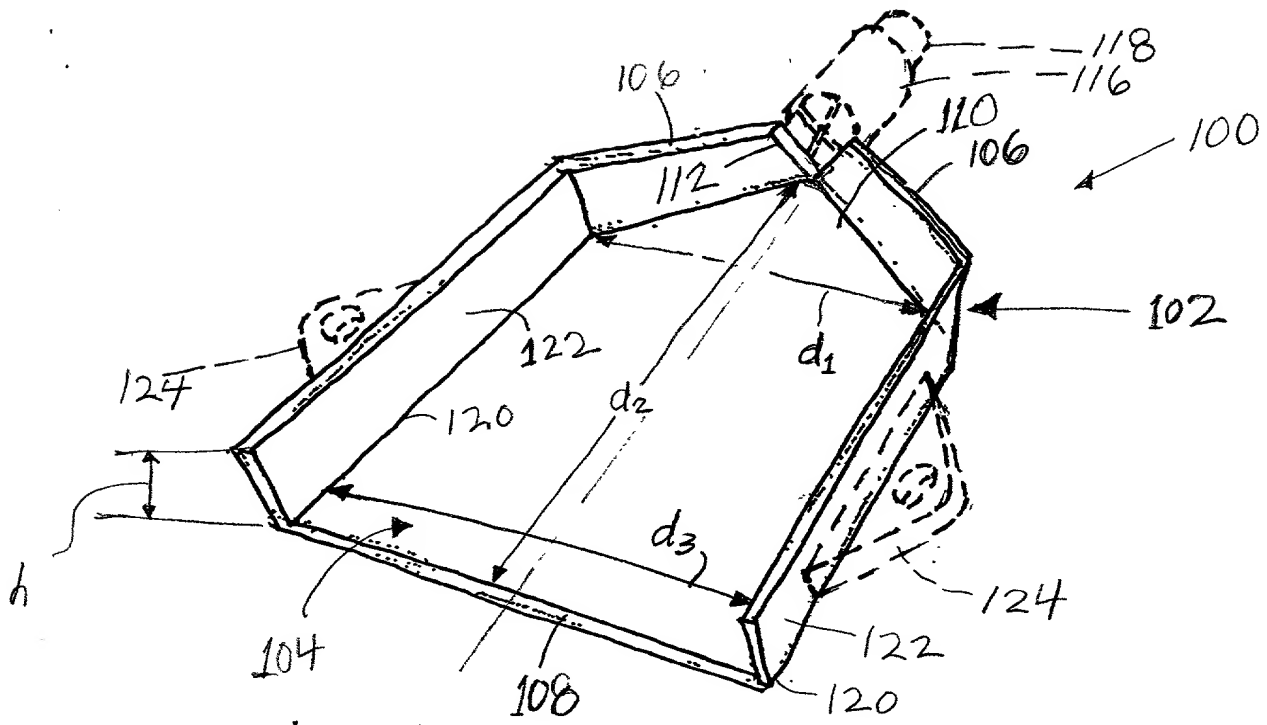


FIG. 4

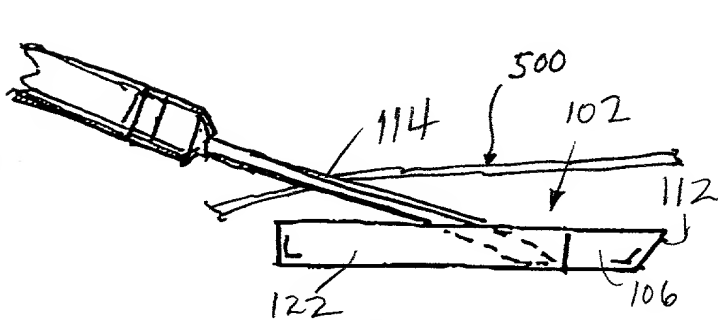


FIG. 5

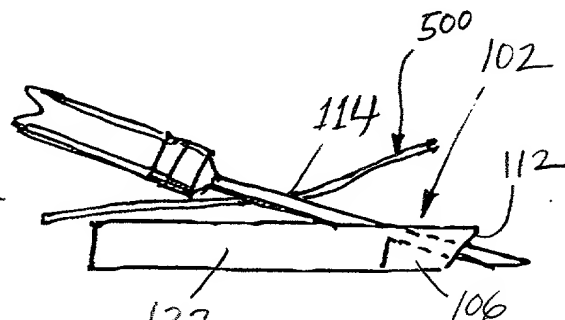


FIG. 6

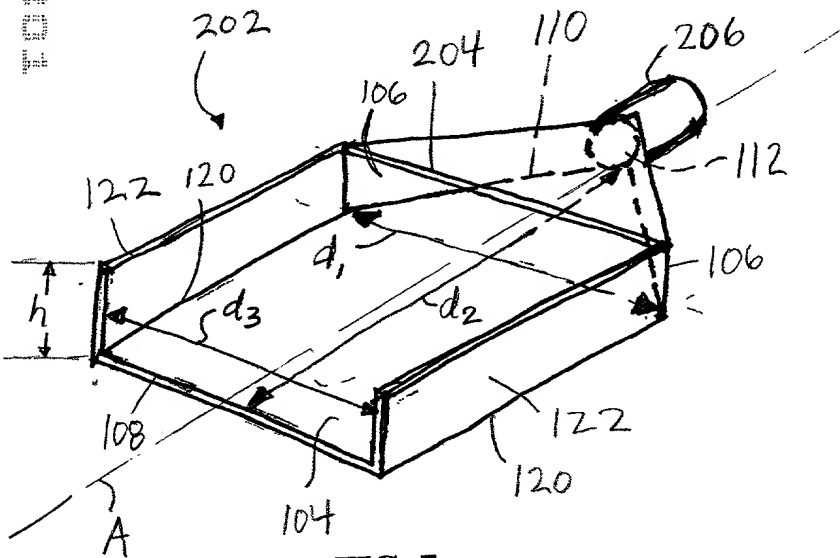


FIG. 7

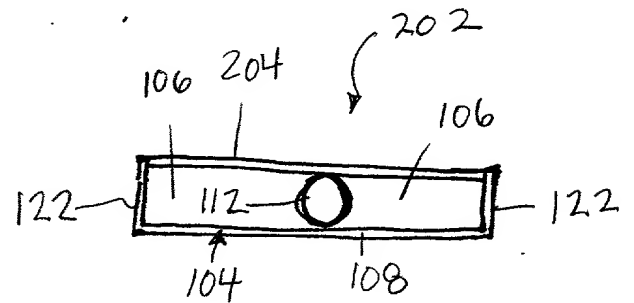


FIG. 8

Downloaded from ascelibrary.org by University of California, San Diego on 06/16/15. Copyright ASCE, For All Rights Reserved, No part of this document may be reproduced without the written permission of the American Society of Civil Engineers.

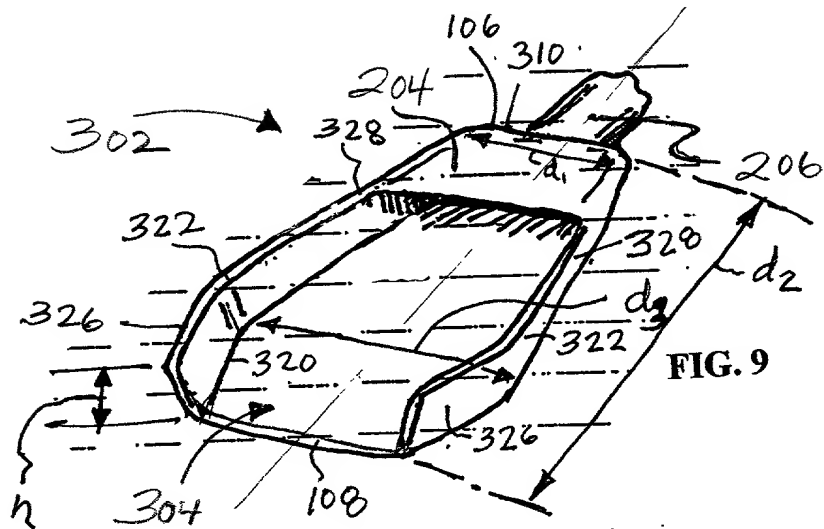


FIG. 9

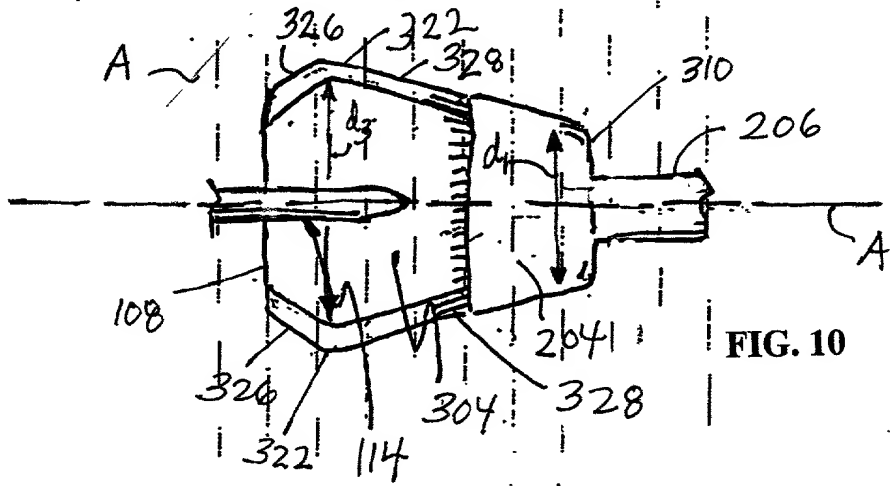


FIG. 10

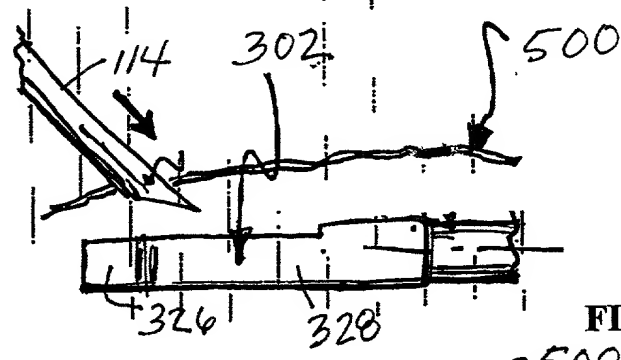


FIG. 11

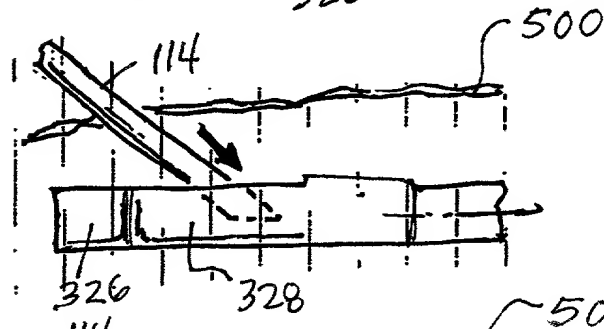


FIG. 12

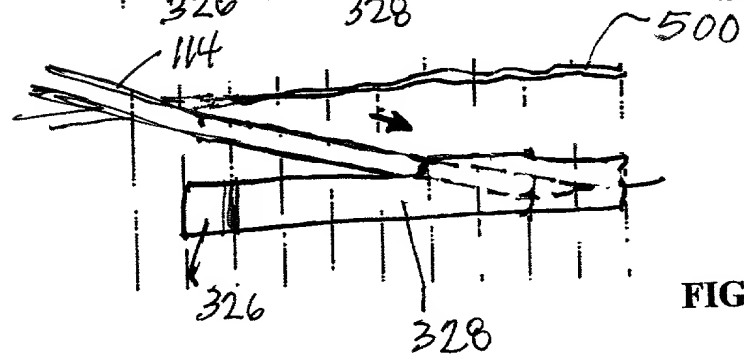


FIG. 13

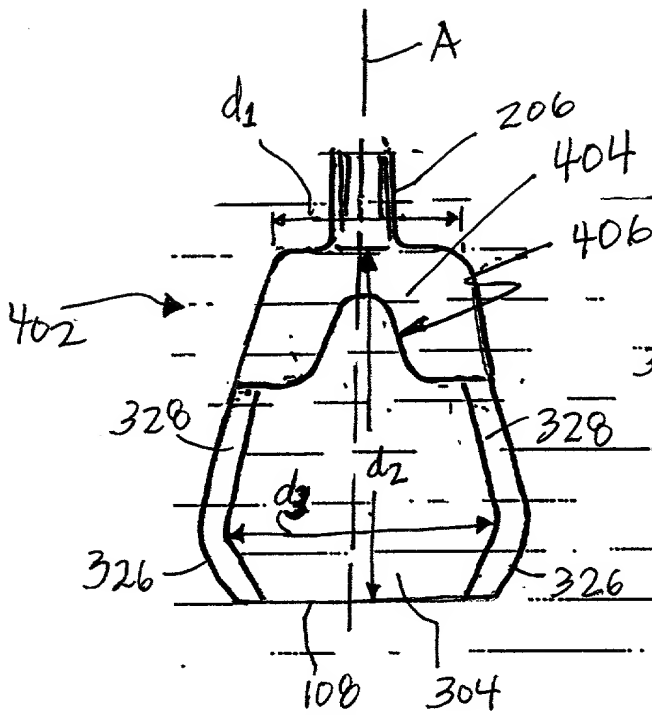


FIG. 14

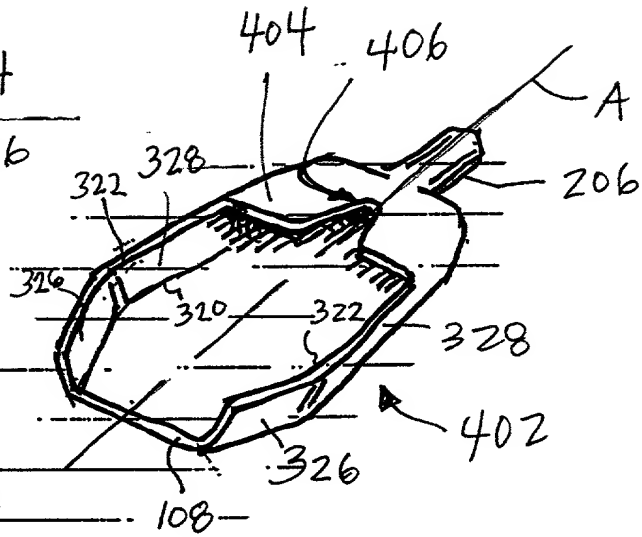


FIG. 15

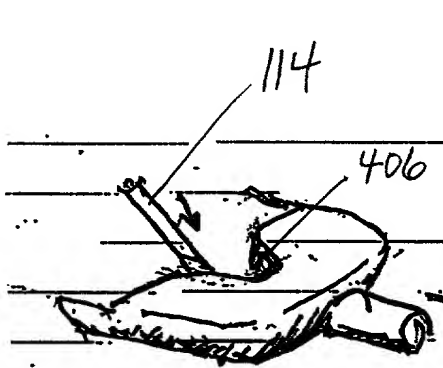


FIG. 16

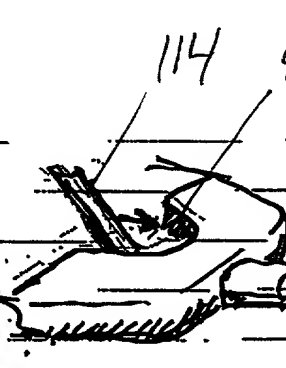


FIG. 17

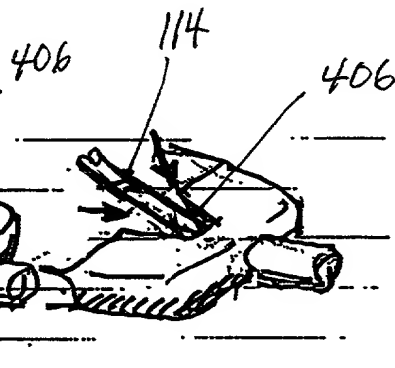


FIG. 18

This drawing is a reproduction of a drawing made by hand and is not intended to be a precise representation of the invention.